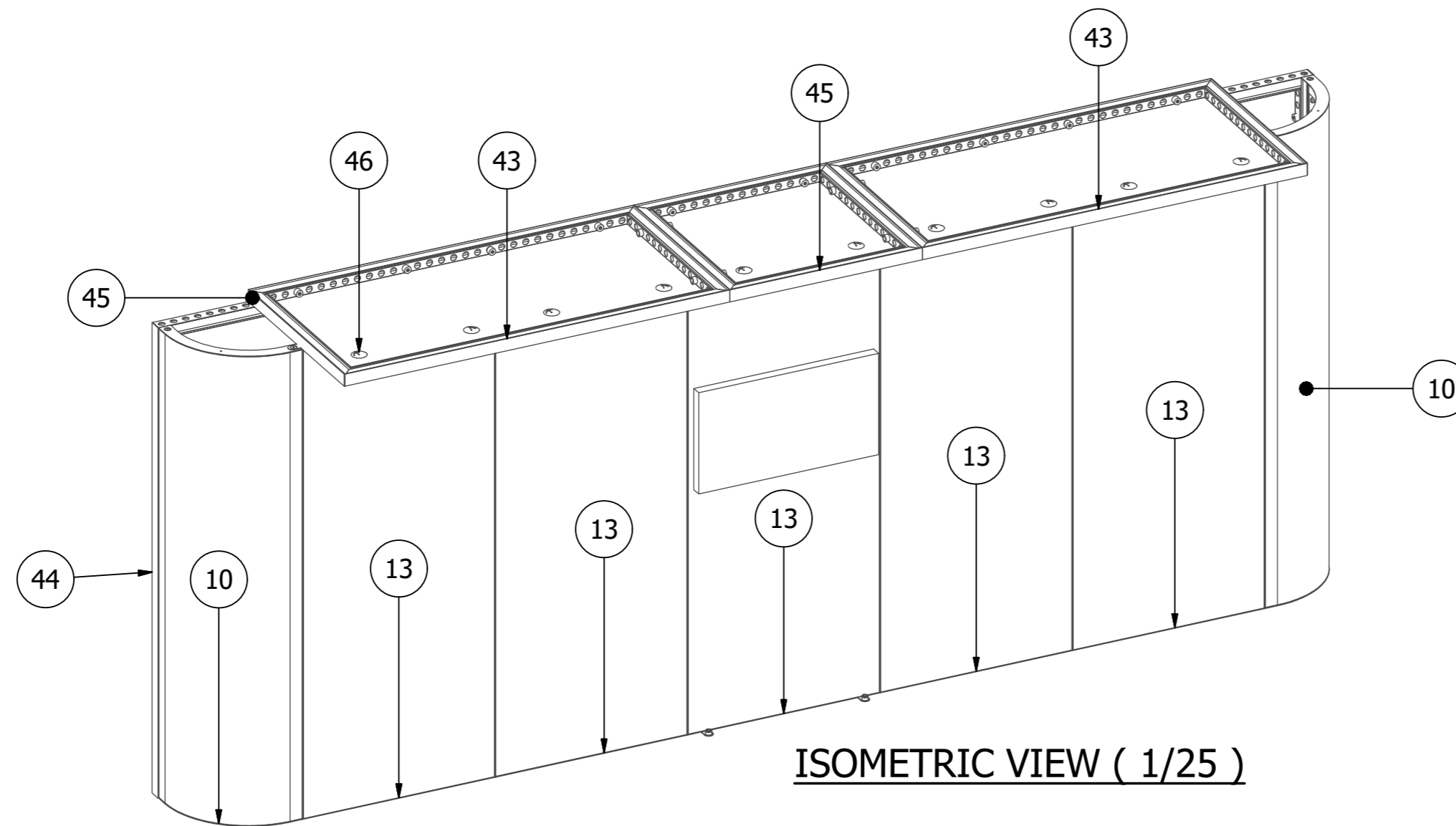
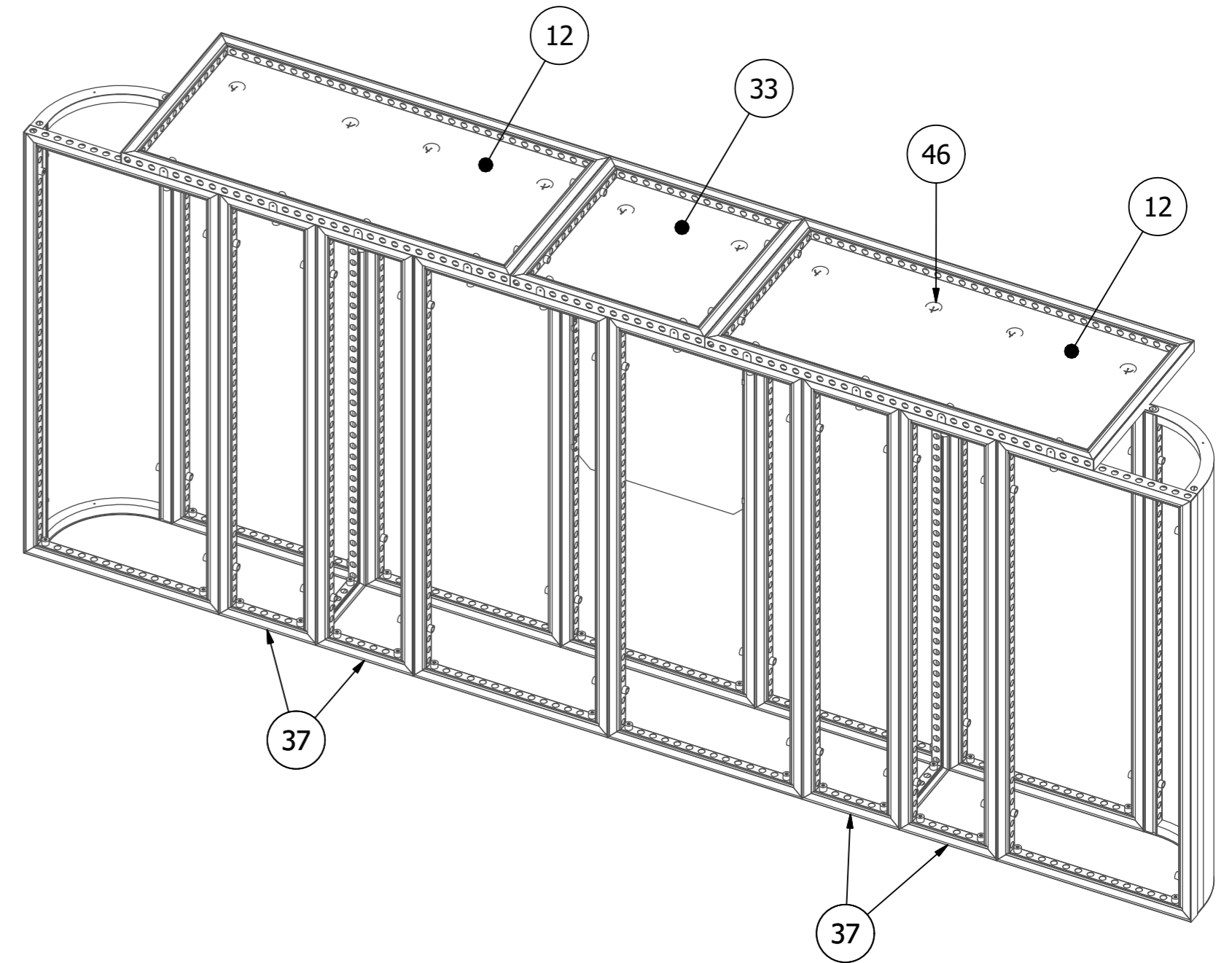
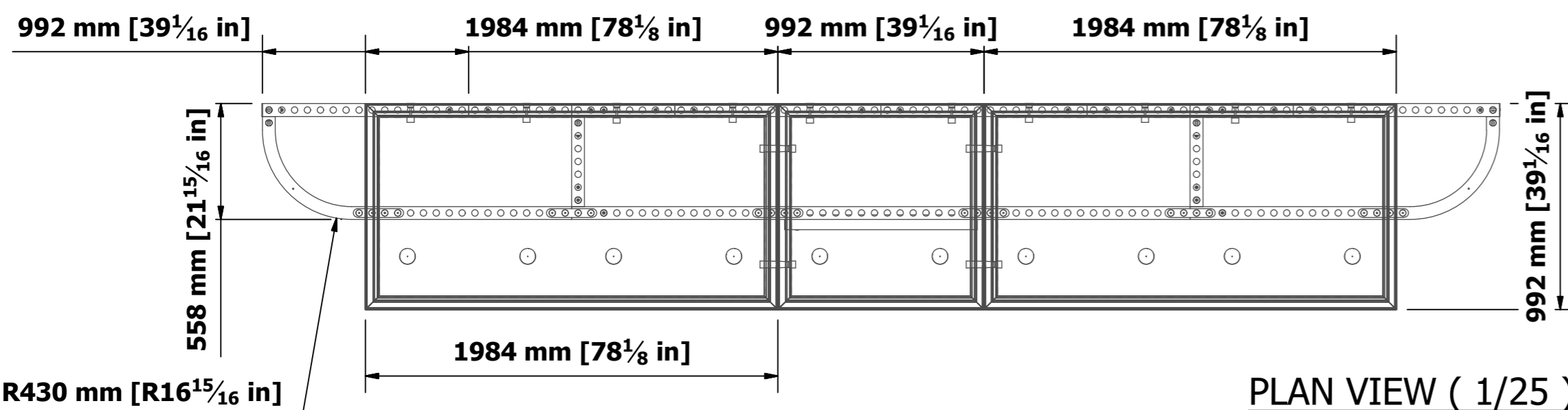


ELEVATION VIEW (1/25)



ISOMETRIC VIEW (1/25)

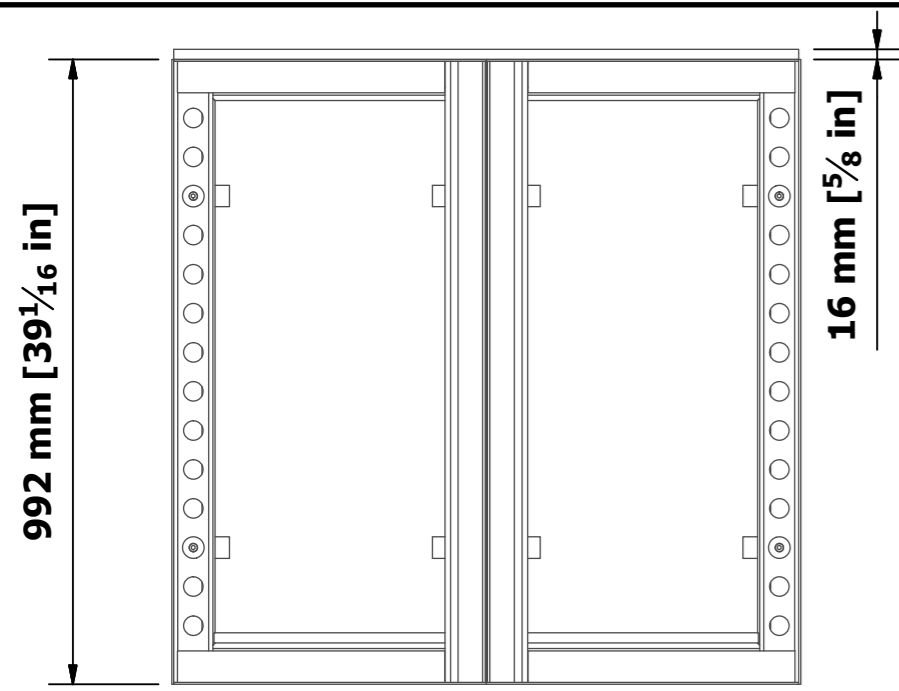


PLAN VIEW (1/25)

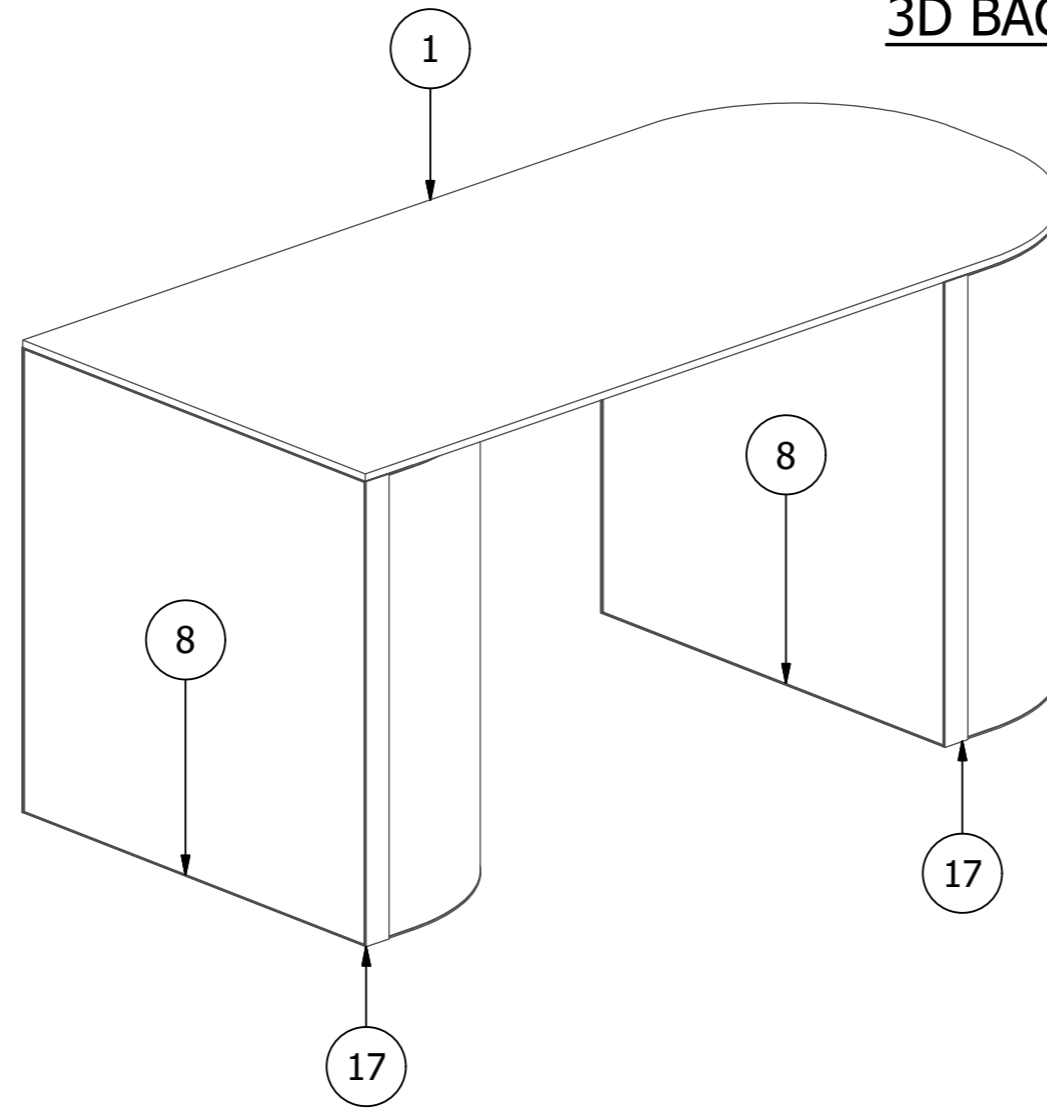
BACKWALL			
ITEM	QTY	ARTICLE	DESCRIPTION
36	2	606 0434 2418 30	b62 FRAME [0434 X 2418MM] HOLES D30
37	4	606 0496 2418 30	b62 FRAME [0496 X 2418MM] HOLES D30
34	1	606 0992 0992 30	b62 FRAME [0992 X 0992MM] HOLES D30
11	2	606 0992 1984 30	b62 FRAME [0992 X 1984MM] HOLES D30
4	9	606 0992 2418 30	b62 FRAME [0992 X 2418MM] HOLES D30
5	2	688 0496 2418 30	b62 CURVED FRAME 90° [R0430] [H=2418MM] NO TEXTILE
38	4	901 2018 0062 ECO	T CONNECTION BASE D30
6	32	901 2025 0132 POM	MANUAL CLAMP CONNECTOR D30 POM
7	69	901 2048 0066 MkII	MANUAL M8 PIN CONNECTOR - MARKII
8	14	901 28 0222 INOX	b62 90° CONNECTION BASE D30
24	4	901 28 0342 C	4 PIN 180° D30
40	4	901 28 0364 C	T 6 PIN D30
9	2	901 3703 b62 GALVA	b62 UNIVERSAL BRACKET
10	2	Curved Panel	798mm x 2412mm [31-7/16" x 94-15/16"]
42	1	MONITOR	MONITOR
39	1	PLYWOOD	PLYWOOD
12	2	Panel	986mm x 1978mm [38-13/16" x 77-7/8"]
13	5	Panel	986mm x 2412mm [38-13/16" x 94-15/16"]
33	1	Panel	986mm x 986mm [38-13/16" x 38-13/16"]
43	2	OVERLAY PANEL	1984mm x 62mm [78-1/8" x 2-7/16"]
44	2	OVERLAY PANEL	2418mm x 62mm [95-3/16" x 2-7/16"]
45	3	OVERLAY PANEL	992mm x 62mm [39-1/16" x 2-7/16"]
46	5	puck lights	

THE EXPO GROUP
Today. Tomorrow. Together.®

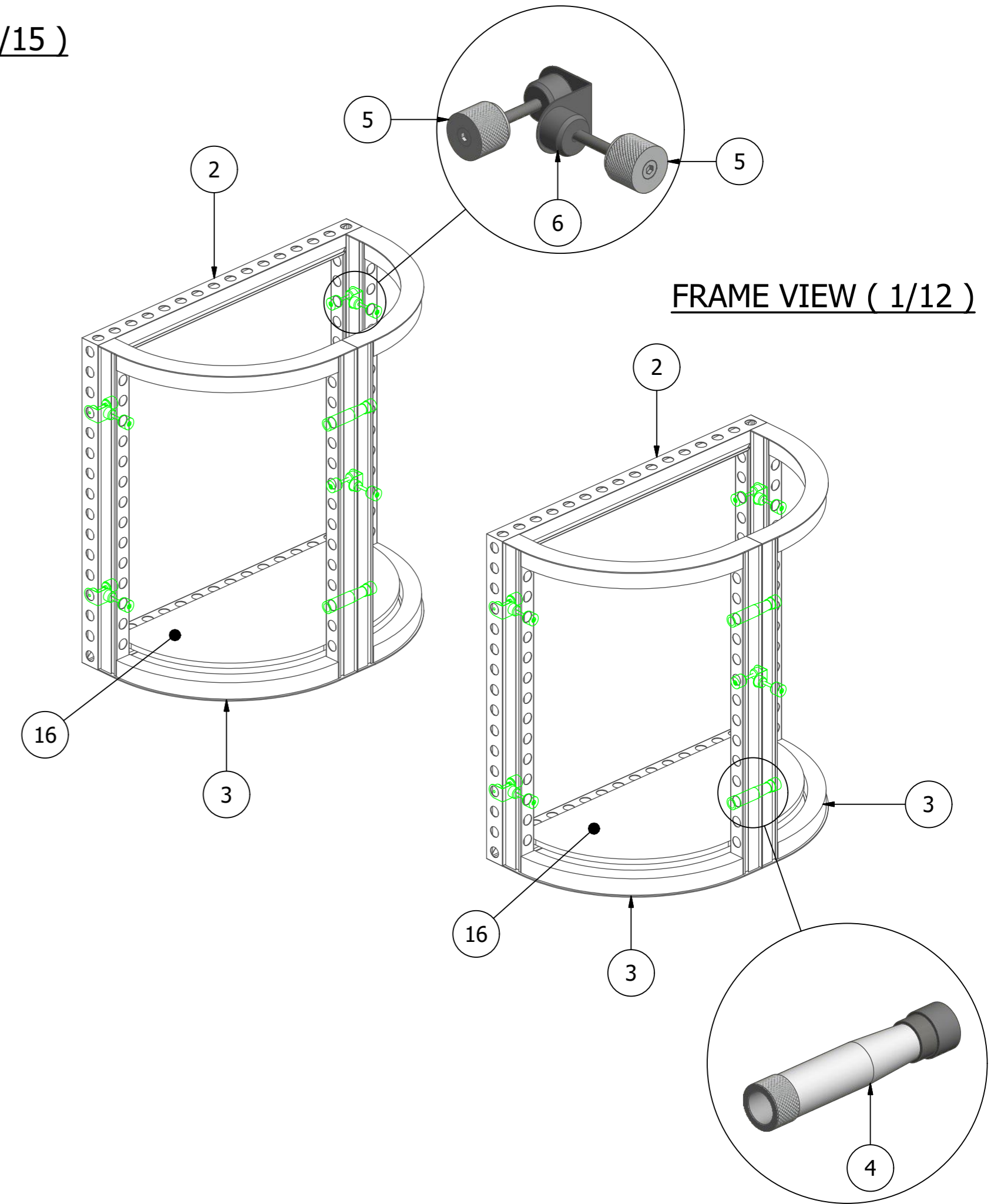
Project Manager: ???	Date: 3/6/2019
Drawn by: Eric Yohman	
Client: PERSPECTIVE LINE	
Project: TEG EXCHANGE 10x20	
Quotation/Order:	
Description: BACKWALL	



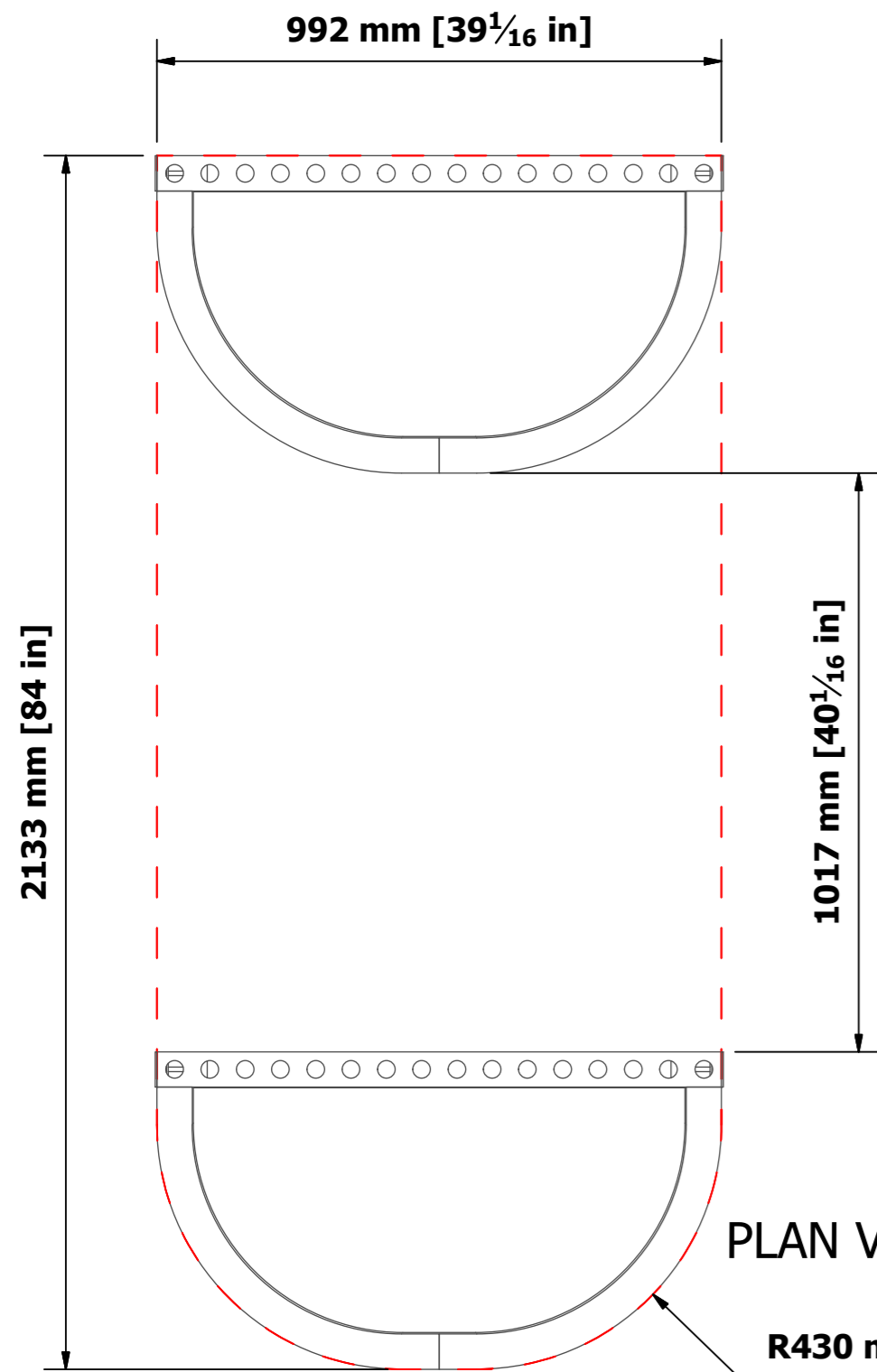
ELEVATION VIEW(1/12)



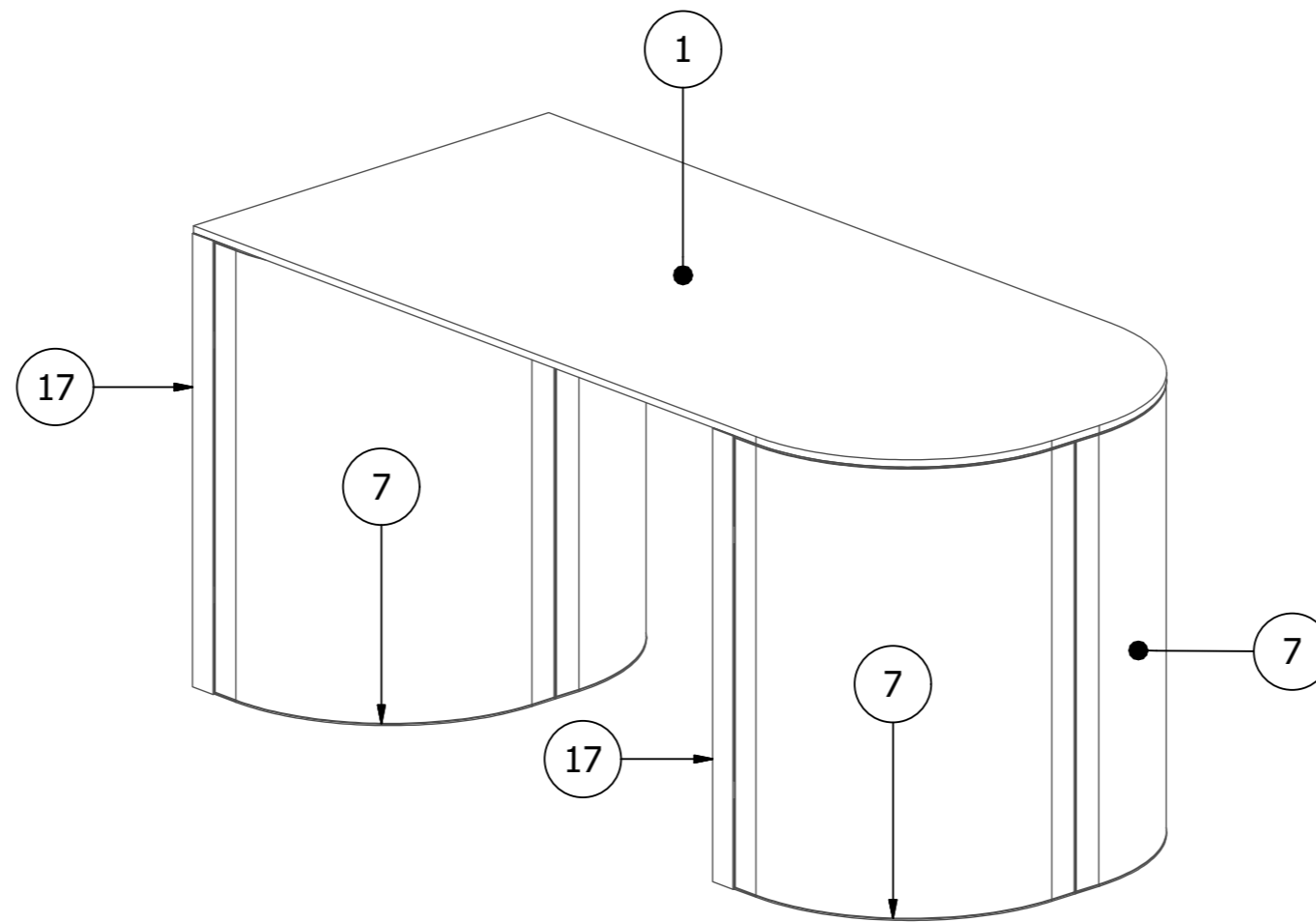
3D BACK VIEW (1/15)



FRAME VIEW (1/12)



PLAN VIEW (1/12)



ISOMETRIC VIEW(1/15)

PARTS LIST			
ITEM	QTY	ARTICLE	DESCRIPTION
8	2	Panel	986mm x 986mm [38-13/16" x 38-13/16"]
7	4	Panel	798mm x 986mm [31-7/16" x 38-13/16"]
3	4	688 0496 0992 00	b62 CURVED FRAME 90° [R0430] [H=0992MM] NO TEXTILE
2	2	606 0992 0992 30	b62 FRAME [0992 X 0992MM] HOLES D30
5	16	901 2048 0066 MkII	MANUAL M8 PIN CONNECTOR - MARKII
6	8	901 28 0222 INOX	b62 90° CONNECTION BASE D30
4	4	901 2025 0132 POM	MANUAL CLAMP CONNECTOR D30 POM
1	1	Countertop	992mm x 558mm (39-1/16" x 22")
16	2	Shelf	864mm x 430mm [34" x 16-15/16"]
17	4	OVERLAY PANEL	992mm x 62mm [39-1/16" x 2-7/16"]

THE EXPO GROUP
Today. Tomorrow. Together.®

Project Manager: ???	Date: 3/6/2019
Drawn by: Eric Yohman	
Client: PERSPECTIVE LINE	
Project: TEG EXCHANGE 10x20	
Quotation/Order:	
Description: COUNTER	